

# 19 Swell Action Latch

Plastic - Flush

### Features

- Flush low profile design
- Accommodates misalignment
- Vibration resistant

### Material

- Nylon black with stainless steel mounting bracket and rubber bushing
- Set tool: 1095 Steel, zinc plated

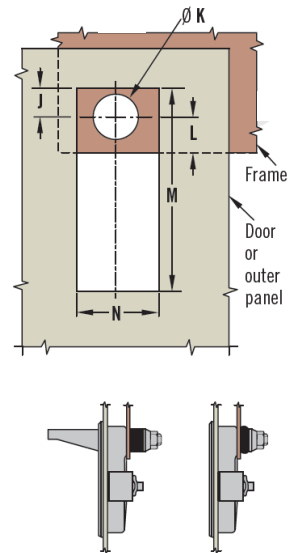
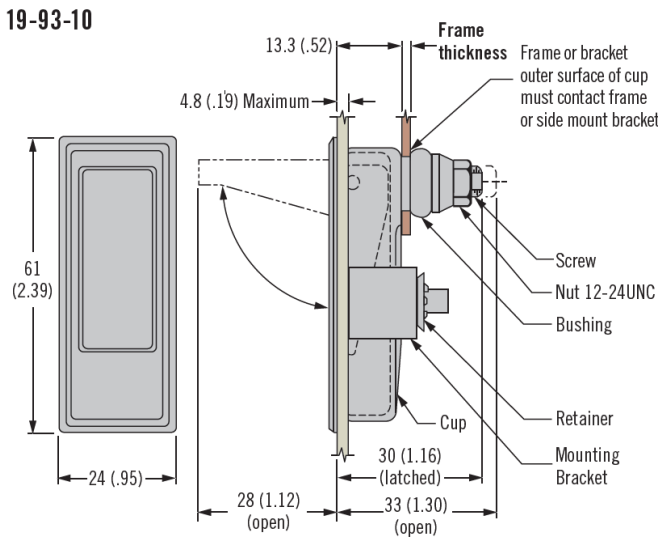
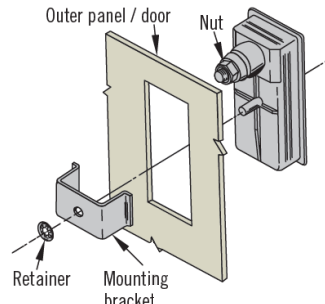
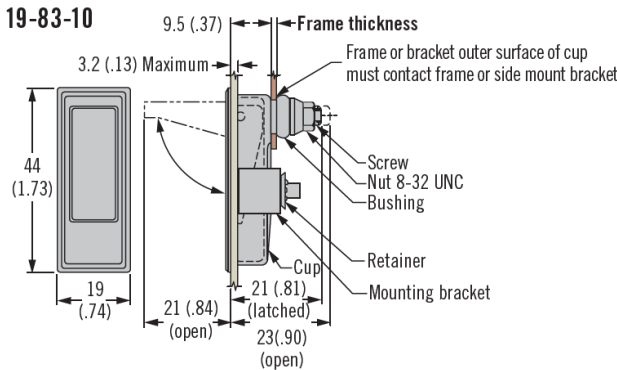
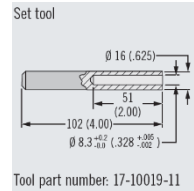


### Product Performance

Series	Frame thickness	Rated load (short term)
19-83-10	0.5 - 3.2 (.016 - .13)	180 N (40lbf)
19-93-10	0.5 - 3.2 (.016 - .13)	440 N (100lbf)
	3.2 - 4.8 (.125 - .19)	330 N (75lbf)

### Installation Notes

- Position bracket and retainer over stud and strike set tool.
- Adjust mounting nut to set latching tension



Part Number	Max. Misalignment Between Centerlines of Panel Hole and Frame Hole	Frame or Bracket				Outer Panel / Door		
		Rated Load (Short Term)	Frame Thickness	$J \pm 0.3$ (.010)	$\beta K$ +0.5 (.020) -0.0 (.000)	L Max.	M	N
19-83-10	0.4 (.015)	180 N (40lbf)	3.2 (.13) Max.	6 (.234)	9.5 (.375)	11 (.45)	41.5 <sup>+0.4</sup> <sub>-0.0</sub> (1.64 <sup>+0.005</sup> <sub>-0.0</sub> )	16.5 <sup>+0.4</sup> <sub>-0.4</sub> (.640 <sup>+0.005</sup> <sub>-.005</sub> )
19-93-10	0.6 (.025)	440 N (100lbf)	Up to 3.2 (.13)	8 (.312)	13.5 (.531)	15 (.56)	57.5 ± .02 (2.265 ± .005)	20.5 <sup>+0.4</sup> <sub>-0.0</sub> (.812 <sup>+0.005</sup> <sub>-.005</sub> )
	0.8 (.030)	330 N (75lbf)	3.2 - 4.8 (.13 - .19)		14 (.56)			